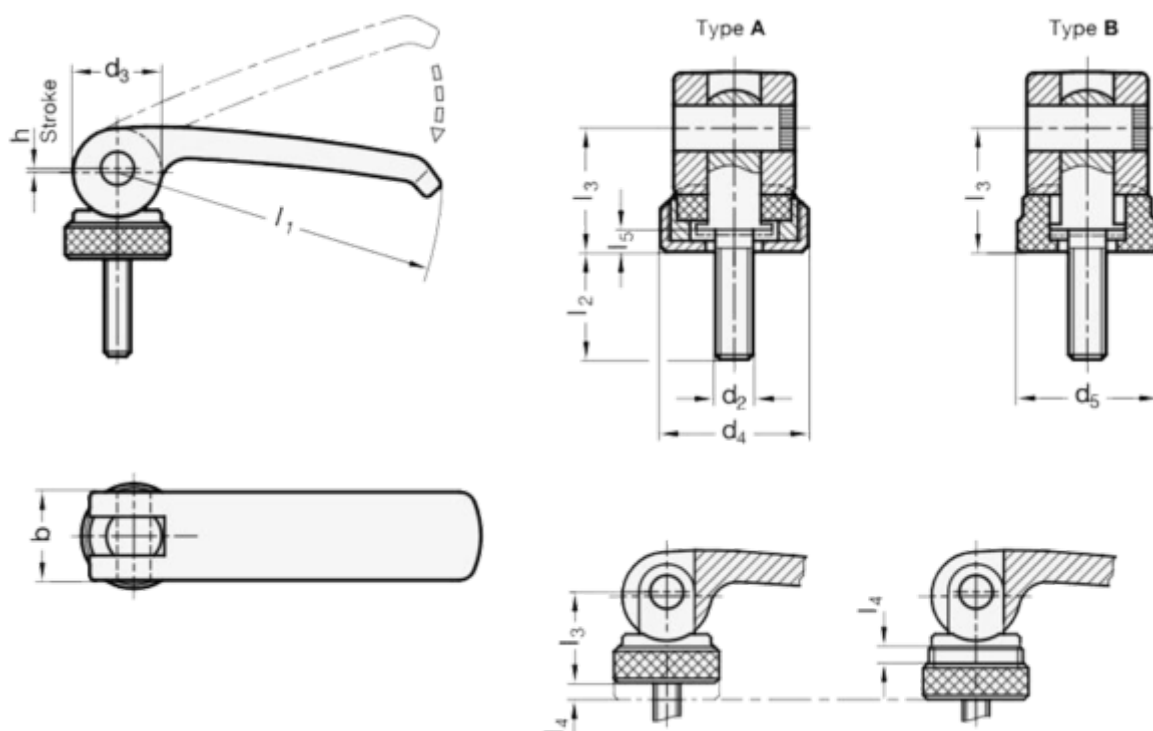


Article number: 209277101M1035A

Description: E+G Clamping lever GN 927.7-101-M10-35-A  
Male thread

## Measures



b = 25  
d2 = M10  
d4 = 30  
d5 =  
l1 = 101  
l2 = 35